

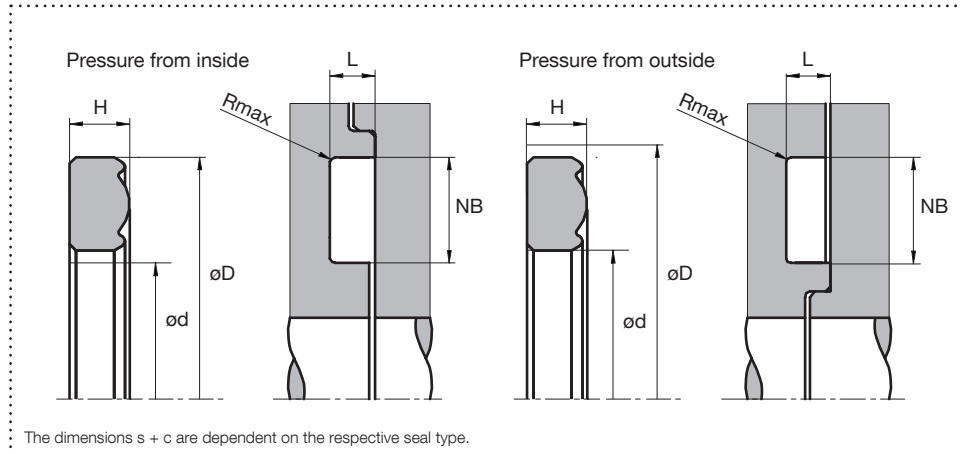


trygonal

Rotary Seal TR20P

acting axially

Housing design



Design

- Flange seal for static applications
- Suitable for high pressure range depending on material and gap size
- Good chemical and thermal resistance depending on material

Application



Brightened symbols:
Seal only for limited use.
Please contact us.

Surface finish

Pressure Roughness	constant		pulsating		Ra (µm) Material portion
	Rtmax (µm)	Ra (µm)	Rtmax (µm)	Ra (µm)	
Sliding surface ¹	12,5	3,2	1,6	6,3	Ratio contact area: 50 – 95% at a cutting depth of 0.5 x Rz starting from Cref = 0%
Groove base ²	12,5	3,2	6,3	6,3	
Groove flanks	12,5	3,2	6,3	6,3	

¹Rtmax/Ra dynamic application: 1,6 µm/0,4 µm ²Rtmax/Ra dynamic application: 6,3 µm/1,6 µm

Standard dimensions

ød h11 (mm)	NB (mm)	L +0,2 (mm)	H (mm)
≥ 5 – ≤ 75	7,5	2,5	2,7
> 75 – ≤ 100	8	4	4,4
> 100 – ≤ 150	10	5	5,5
> 150 – ≤ 200	12,5	6	6,5
> 200 – ≤ 350	15	7,5	8,2
> 350 – ≤ 600	20	10	11,0

Material and application parameters

Sealing element	Temp. (°C)	max. sliding speed (m/s)	max. pressure
HPU premium	-30 – +110	only recommended for static applications	800 bar (80 MPa)
HPU diet	-20 – +110	only recommended for static applications	800 bar (80 MPa)
HPU lubric	-20 – +110	only recommended for static applications	800 bar (80 MPa)
HPU taiga	-50 – +110	only recommended for static applications	800 bar (80 MPa)

The specified application parameters are generally valid values and must not be used simultaneously with the application. An order can be placed by specifying the profile type, material and specified housing design dimensions.

Our applied technical advice, either oral, written or through tests is given according to our best knowledge. However, this information is to be considered as non-obligatory instruction, also in terms of any protective rights of a third party, and does not exempt you from testing our product in reference to its suitability for the intended process and purpose. Utilisation, application and processing of the products occur entirely outside of our control and are therefore exclusively your responsibility. However, should a case of liability come into question, it will be limited to all damages in the value of the product which we delivered and you used. By all means, we do warrant the impeccable quality of our products in accordance with our general sales and delivery conditions.