

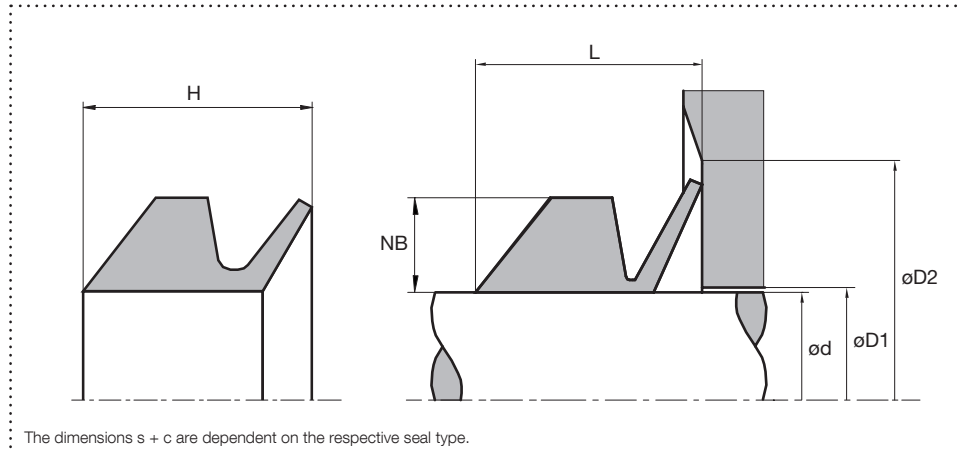


trygonal

Rotary Seal TR07R

acting axially

Housing design



Surface finish

Roughness	Rtmax (µm)	Ra (µm)	Material portion
Sliding surface	≤ 2,5	0,1 – 0,5	Ratio contact area: 50 – 95% at a cutting depth of 0.5 x Rz starting from Cref = 0%
Groove base	≤ 6,3	≤ 1,6	
Groove flanks	≤ 15	≤ 3	

Standard dimensions

ød h11 (mm)	øD1 max (mm)	øD2 min (mm)	NB (mm)	H (mm)	L (mm)
≥ 5 – < 40	d + 2,0	d + 12	4	9,76	8,5
≥ 40 – < 70	d + 2,5	d + 15	5	11,82	10
≥ 70 – < 100	d + 3,0	d + 18	6	14,23	12,5
≥ 100 – < 150	d + 3,5	d + 21	7	16,65	14,5
≥ 150 – < 210	d + 4,0	d + 24	8	19,11	16,5
≥ 210 – < 300	d + 5,0	d + 30	10	23,20	20,5
≥ 300 – < 450	d + 6,25	d + 36,5	12,5	28,31	24,5
≥ 450	d + 7,5	d + 45	15	33,42	28,5

Material and application parameters

Sealing element	Temperature (°C)	max. sliding speed (m/s) ¹	max. pressure
NBR standard	-30 – +100	25	–
FPM diet br	-20 – +200	25	–
EPDM spring	-50 – +150	25	–
HNBR diet	-25 – +150	25	–

¹ Axial support is recommended for sliding speeds above 10 m/s.

The specified application parameters are generally valid values and must not be used simultaneously with the application. An order can be placed by specifying the profile type, material and specified housing design dimensions.

Design

- Rubber-based V-ring seals axially
- Tight fit on the shaft
- Good wear behaviour
- accordingly many application possibilities

Application



rotating



oscillating

Brightened symbols:
Seal only for limited use.
Please contact us.