

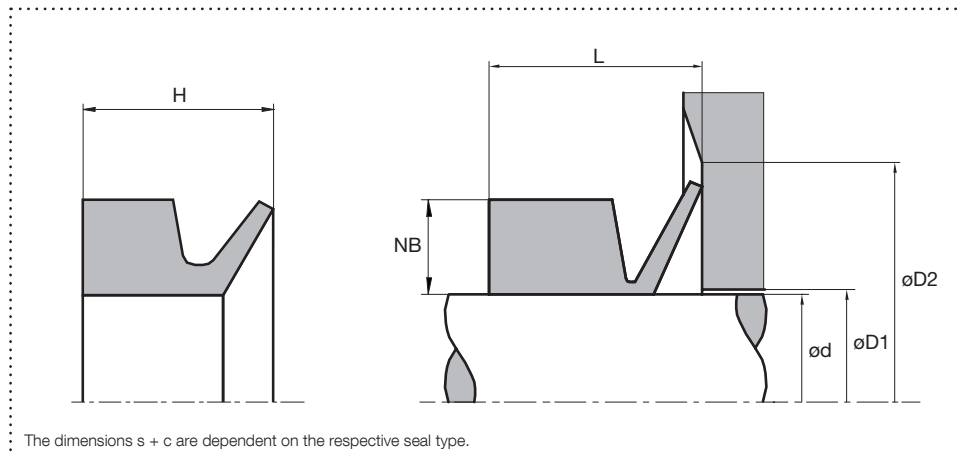


trygonal

Rotary Seal TR06P

acting axially

Housing design



Design

- Polyurethane based V-ring seals axially
- Tight fit on the shaft
- Excellent wear behaviour
- Protects bearings from dust, dirt, oil, water, etc.

Application



rotating



oscillating

Brightened symbols:
Seal only for limited use.
Please contact us.

Surface finish

Roughness	Rtmax (µm)	Ra (µm)	Material portion
Sliding surface	≤ 2,5	0,1 – 0,5	Ratio contact area: 50 – 95% at a cutting depth of 0.5 x Rz starting from Cref = 0%
Groove base	≤ 6,3	≤ 1,6	
Groove flanks	≤ 15	≤ 3	

Standard dimensions

ød h11 (mm)	øD1 max (mm)	øD2 min (mm)	NB (mm)	H (mm)	L (mm)
≥ 5 – < 40	d + 2,0	d + 12	4	7,5	6
≥ 40 – < 70	d + 2,5	d + 15	5	9	7
≥ 70 – < 100	d + 3,0	d + 18	6	10,85	9
≥ 100 – < 150	d + 3,5	d + 21	7	12,7	10,5
≥ 150 – < 210	d + 4,0	d + 24	8	14,6	12
≥ 210 – < 300	d + 5,0	d + 30	10	17,56	14,5
≥ 300 – < 450	d + 6,25	d + 36,5	12,5	21,26	17,5
≥ 450	d + 7,5	d + 45	15	25	20

Material and application parameters

Sealing element	Temperature (°C)	max. sliding speed (m/s) ¹	max. pressure
HPU premium	-30 – +110	25	–
HPU diet	-20 – +110	25	–
HPU lubric	-20 – +110	25	–
HPU taiga	-50 – +110	25	–

¹ Bei Geschwindigkeit über 10m/s wird eine axiale Abstützung empfohlen.

The specified application parameters are generally valid values and must not be used simultaneously with the application. An order can be placed by specifying the profile type, material and specified housing design dimensions.

Our applied technical advice, either oral, written or through tests is given according to our best knowledge. However, this information is to be considered as non-obligatory instruction, also in terms of any protective rights of a third party, and does not exempt you from testing our product in reference to its suitability for the intended process and purpose. Utilisation, application and processing of the products occur entirely outside of our control and are therefore exclusively your responsibility. However, should a case of liability come into question, it will be limited to all damages in the value of the product which we delivered and you used. By all means, we do warrant the impeccable quality of our products in accordance with our general sales and delivery conditions.